

Electric Linear Conveyors with extra features



© Lars Sandberg

Mission: Our patented technology optimizes manufacturing productivity and simplifies automation process, contributing to a sustainable energy system and a friendly working environment.



Conveyor 22 AB is a high-tech company located in south Sweden.

We offer a flexible and complete conveyor system.
Feeding trays and extra features can be added based on your needs.
Output, organizing, sorting or separation - we have the solution!

Vision

We set a new global standard for industrial process conveying of solid material.

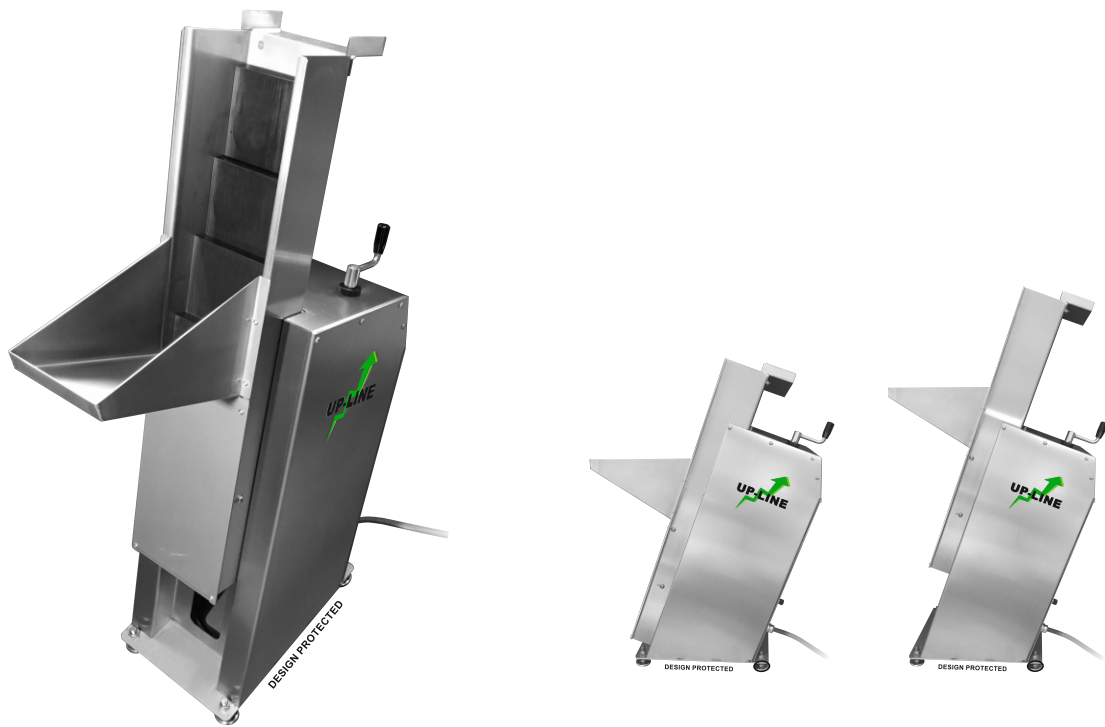
Why Go Electric?

Risks due to the use of traditional conveyors: loud noise, oil mist, air pollution, occupational diseases, low energy efficiency, space shortage, weight sensitivity, high costs, continuous maintenance, short life-cycle, unreliability...

Conveyor 22 electric linear conveyors now provide unique solutions!

Index

Conveyors	4 - 12
Up Line 400/20	4
Clean Line	5
Clean Line 181	6
Clean Line 141	7
Clean Line 121	8
Black Line	9
Black Line 181	10
Black Line 141	11
Black Line 121	12
Feeding Trays	13 - 18
Standard feeding trays	13
Special feeding trays	14
Tray Fasteners	15
Tray Fasteners T-Slot.....	16
Sliding Parts	17
Nylon Spacer	18
Extra features	19 - 29
Aluminum Bar & Bar Fastener	19
Quick Bar	20
Angle Bracket QB	21
Conveyor Lift 200/278	22
Conveyor Lift 230/1100	23
Quick Disconnect 390	24
Turn Plate 90°	25
Quick Cassette 600	26
Steady Stand	27
M12 Signal Cable & 90° Electric Connector	28
Protective Cover & Anti-Pinch Barrier	29
Dimensions and Hole Pattern Drawing	30 - 36
Up Line	30
Black Line 181 & Clean Line 181	31
Black Line 141 & Clean Line 141	32
Black Line 121 & Clean Line 121	33
Control box for Clean Line	34
Control box for Black Line	35
Electric connection	36 - 37
Electric connection for Clean Line	36
Electric connection for Black Line	37
Warranty	38



Up Line 400/20

The step feeder has double action movement: every step moves up and down alternately with high capacity. Built-in deliver sensor for every output, makes interfacing to most PLCs or manufacturing machines easy. The machine housing is stainless steel and the steps are in FDA-compliant Azetal plastic. The magazine can be customized. Reliable, compact, flexible, quiet operation, low maintenance for handling a wide range of products.

Max distributed load	2 kg
Stroke length	100 mm
Stroke frequency	17/min
Step depth	20 mm
Step width	136 mm
Number of steps	4
Elevation height	400 mm
Deliver height adjustment (with crank)	180 mm
Adjustable machine feet	4
Magazine capacity (standard)	4 dm ³
Sensor (when connected, an output signal is activated)	M12 socket
Start/Stop	power switch
Motor	1 phase with gearbox
Noise level	60 dB(A)
Energy consumption	0.19 kW
Electricity	1 phase 230V 50 Hz
Protection class	IP54
Dimensions (LxWxH)	450x220x(725-905) mm
Weight	38 kg



Clean Line for demanding environments

IP66, dust and water splash proof, Teflon® seals
Stainless steel and Anodized aluminum, for pharmaceutical, food or harsh environments



Clean Line 181

Most compact conveyor with loading capacity up to 10 kg

Clean Line 141

Compact model for conveying solid material up to 20 kg



Clean Line 121

Strong and stable conveyor for handling solid material up to 40 kg



Clean Line 181

Patented electric linear conveyor with intelligent and maintenance free technology. Manufactured in stainless steel and anodized aluminum. IP66, dust and splash proof. Suitable for pharmaceutical industry, food process or harsh environments. A decrease of feeding speed results in an increase of max distributed and attached loads. The conveyor is delivered as a complete unit including control box.

Max distributed load (in highest feeding speed)	10 kg
Max attached load (in highest feeding speed)	4 kg
Stroke	20 mm
Feeding speed (mechanical adjustable)	4-8 m/min
Built-in warning system (motion sensor)	M12 connector
Start/Stop can be controlled from PLC	M12 connector
Motor and overload protection	built-in
Noise level	60 dB(A)
Energy consumption	0.05 kW
Electricity	110-230 VAC, 50-60 Hz or 24 VDC
Protection class	IP66
Dimensions (LxWxH)	271x118x38 mm
Weight	2.65 kg





Clean Line 141

Patented electric linear conveyor with intelligent and maintenance free technology. Manufactured in stainless steel and anodized aluminum. IP66, dust and splash proof. Suitable for pharmaceutical industry, food process or harsh environments. A decrease of feeding speed results in an increase of max distributed and attached loads. The conveyor is delivered as a complete unit including control box.

Max distributed load (in highest feeding speed)	20 kg
Max attached load (in highest feeding speed)	8 kg
Stroke	20 mm
Feeding speed (mechanical adjustable)	4-8 m/min
Built-in warning system (motion sensor)	M12 connector
Start/Stop can be controlled from PLC	M12 connector
Motor and overload protection	built-in
Noise level	60 dB(A)
Energy consumption	0.07 kW
Electricity	110-230 VAC, 50-60 Hz or 24 VDC
Protection class	IP66
Dimensions (LxWxH)	305x128x47 mm
Weight	3.7 kg





Clean Line 121

Patented electric linear conveyor with intelligent and maintenance free technology. Manufactured in stainless steel and anodized aluminum. IP66, dust and splash proof. Suitable for pharmaceutical industry, food process or harsh environments. A decrease of feeding speed results in an increase of max distributed and attached loads. The conveyor is delivered as a complete unit including control box.

Max distributed load (in highest feeding speed)	40 kg
Max attached load (in highest feeding speed)	16 kg
Stroke	20 mm
Feeding speed (mechanical adjustable)	4-8 m/min
Built-in warning system (motion sensor)	M12 connector
Start/Stop can be controlled from PLC	M12 connector
Motor and overload protection	built-in
Noise level	60 dB(A)
Energy consumption	0.15 kW
Electricity	110-230 VAC, 50-60 Hz or 24 VDC
Protection class	IP66
Dimensions (LxWxH)	318x138x68 mm
Weight	6.3 kg



Black Line for high performance

Protection class IP62, dust and water spray proof
High strength steel and anodized aluminum, for most
manufacturing industries such as metal, plastic, robotics and recycling etc.



Black Line 181

Most compact conveyor with loading capacity up to 10 kg

Black Line 141

Compact conveyor for limited space with max conveying load 20 kg



Black Line 121

Strong conveyor for effective handling solid material up to 40 kg



Black Line 181

Patented electric linear conveyor with intelligent and maintenance free technology. Manufactured in high strength steel and anodized aluminum. IP62, suitable for most manufacturing industries. A decrease of feeding speed results in an increase of max distributed and attached loads. The conveyor is delivered as a complete unit including control box.

Max distributed load (in highest feeding speed)	10 kg
Max attached load (in highest feeding speed)	4 kg
Stroke	20 mm
Feeding speed (mechanical adjustable)	4-8 m/min
Built-in warning system (motion sensor)	M12 connector
Start/Stop can be controlled from PLC	M12 connector
Motor and overload protection	built-in
Noise level	60 dB(A)
Energy consumption	0.05 kW
Electricity	110-230 VAC, 50-60 Hz or 24 VDC
Protection class	IP62
Dimensions (LxWxH)	271x118x38 mm
Weight	2.65 kg





Black Line 141

Patented electric linear conveyor with intelligent and maintenance free technology. Manufactured in high strength steel and anodized aluminum. IP62, suitable for most manufacturing industries. A decrease of feeding speed results in an increase of max distributed and attached loads. The conveyor is delivered as a complete unit including control box.

Max distributed load (in highest feeding speed)	20 kg
Max attached load (in highest feeding speed)	8 kg
Stroke	20 mm
Feeding speed (mechanical adjustable)	4-8 m/min
Built-in warning system (motion sensor)	M12 connector
Start/Stop can be controlled from PLC	M12 connector
Motor and overload protection	built-in
Noise level	60 dB(A)
Energy consumption	0.07 kW
Electricity	110-230 VAC, 50-60 Hz or 24 VDC
Protection class	IP62
Dimensions (LxWxH)	305x128x47 mm
Weight	3.7 kg





Black Line 121

Patented electric linear conveyor with intelligent and maintenance free technology. Manufactured in high strength steel and anodized aluminum. IP62, suitable for most manufacturing industries. A decrease of feeding speed results in an increase of max distributed and attached loads. The conveyor is delivered as a complete unit including control box.

Max distributed load (in highest feeding speed)	40 kg
Max attached load (in highest feeding speed)	16 kg
Stroke	20 mm
Feeding speed (mechanical adjustable)	4-8 m/min
Built-in warning system (motion sensor)	M12 connector
Start/Stop can be controlled from PLC	M12 connector
Motor and overload protection	built-in
Noise level	60 dB(A)
Energy consumption	0.15 kW
Electricity	110-230 VAC, 50-60 Hz or 24 VDC
Protection class	IP62
Dimensions (LxWxH)	318x138x68 mm
Weight	6.3 kg



*Our unique technology offers an unconventional solution on conveying:
focus on handling material instead of moving heavy feeding trays.
A less weighted tray contributes to more effective conveying of the goods.*

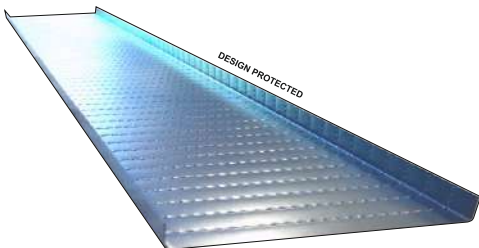
Regarding 16 kg resp. 8 kg and 4 kg attached weights on our conveyors (the sum weights of feeding trays, bars, fasteners etc.), we recommend max 1 mm material thickness of feeding tray.

Our linear motion eliminates the risk on exposing feeding tray material to stress by vibrations.

The extra stability can be provided by using sliding elements.

Standard Feeding Tray

We provide ready-to-use standard feeding trays in required length and width. The single trays are usually mounted on the conveyor with supplied fasteners. Standard height: 19 mm



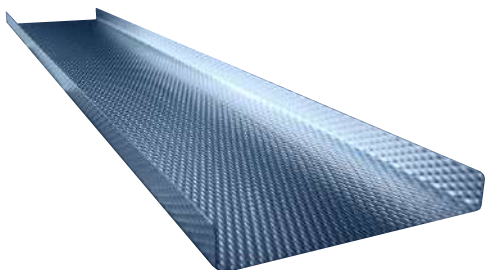
RC22

Low friction against the contact surface increases transport speed and eliminates sticking of parts. The perforated plate is durable and the surface is electroplated.

RC22 is also available in stainless steel.

Thickness: 0.8 mm

Weight: 6.0 kg/m²



AN5

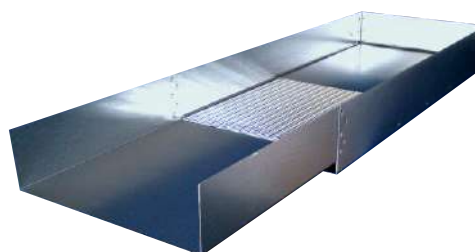
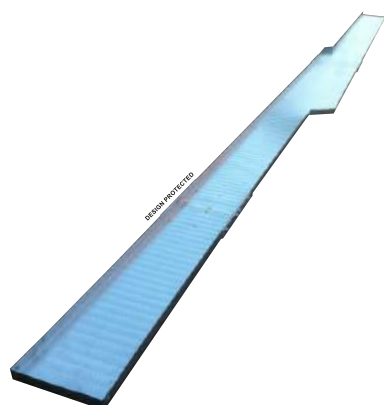
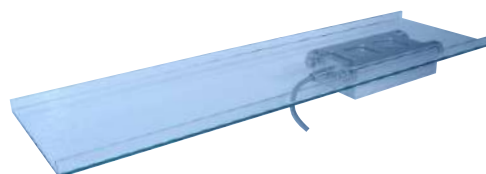
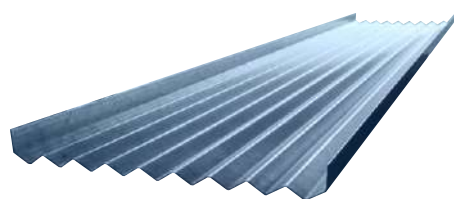
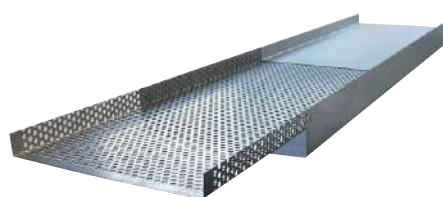
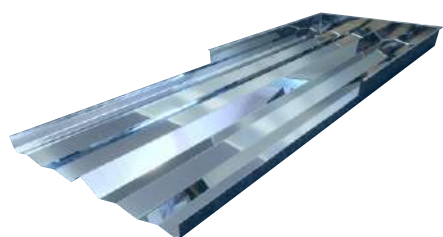
AN5 is a good alternative to the RC22. The plate has a slightly textured surface, is durable and the material is stainless steel.

Thickness: 0.8 mm

Weight: 6.4 kg/m²

Special Feeding Trays

We also manufacture trays in other materials: smooth steel sheet, acid proof stainless steel, perforated steel, non-stick/ceramic-coated steel, tempered glass, polyethene or lexan etc. Some examples are shown here.



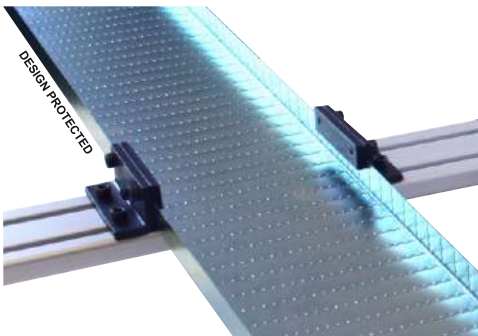
Tray Fastener

The tray fasteners are made of high strength steel and are easily adjusted in X and Y axis.

They are delivered in pairs with assorted clamping bolts to 10.9 quality and special T-slot-nuts for our Aluminum Bar.

Height over bar: 30 mm

Weight: 0.4 kg



Inverted Tray Fastener

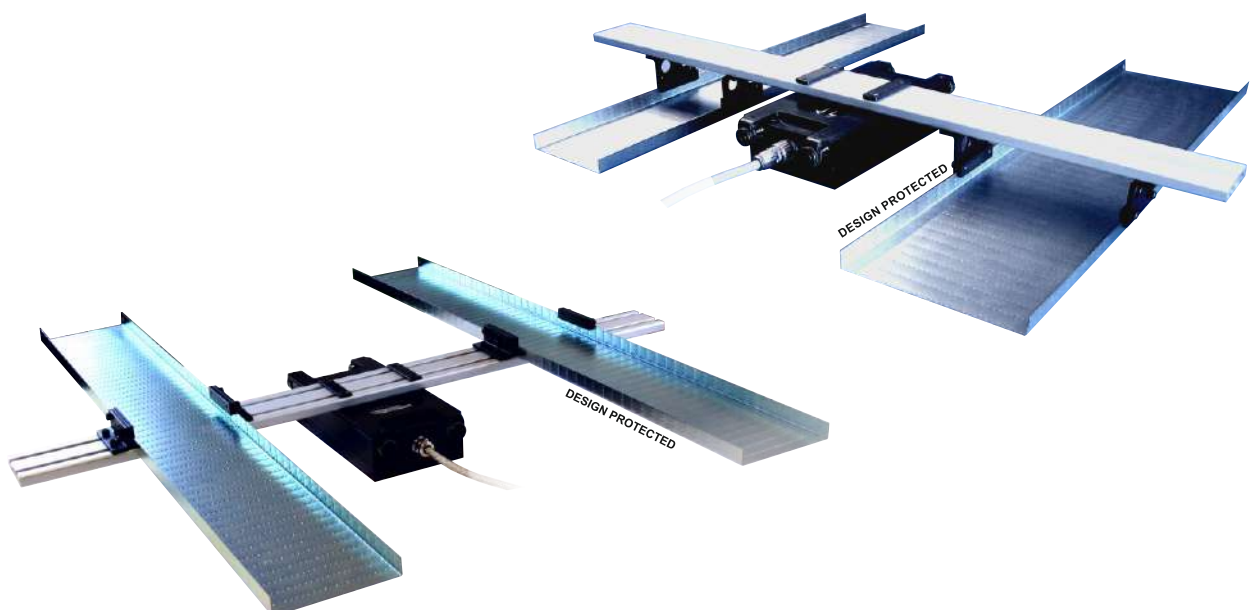
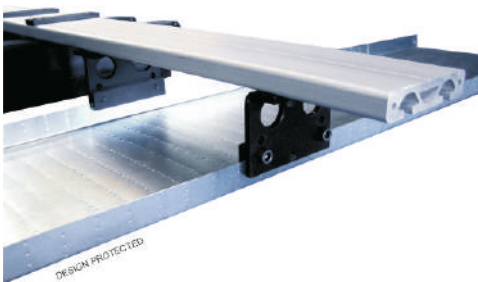
The inverted tray fasteners are made of high strength steel and are easily adjusted in both X and Y axis.

They are delivered in pairs with assorted clamping bolts to 10.9 quality and special T-slot-nuts for our Aluminum Bar.

Fasteners may be mounted on the conveyor in the same plane as the trays or turned though 180° for trays with 40 mm high edge.

Height under bar: 58.5 mm

Weight: 0.6 kg



Tray Fastener T-Slot



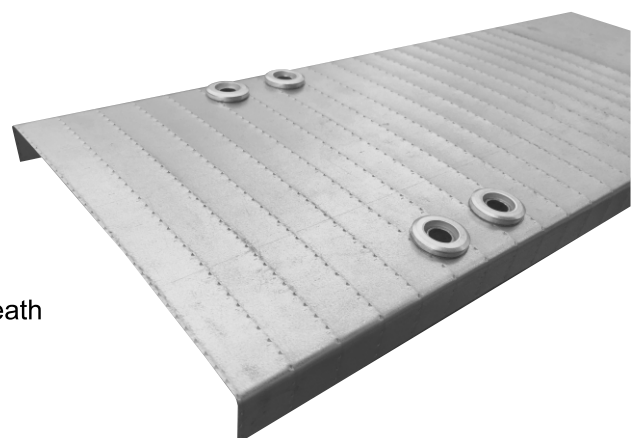
Tray fastener T-Slot is a kit for mounting feeding trays directly against our aluminum bar. The kit makes the tray fully adjustable in X axis.

The kit consists of 4 screws, 4 washers with self-adhesive metal tape and 4 T-slot nuts with spring loaded ball.

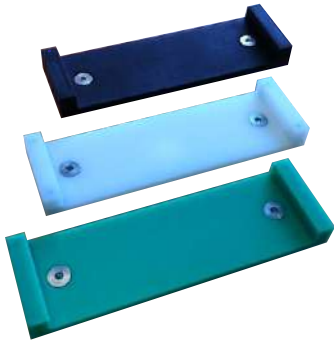
Holes are to be drilled in the feeding tray, then the tray is easily mounted on top of the aluminum bar in suitable position with 4 hex screws.



Feeding Tray and aluminum bar with mounted Tray Fastener T-Slot from above



Feeding Tray with mounted washers from beneath

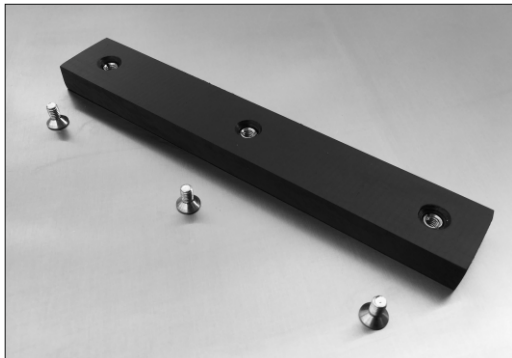


Sliding Parts Machine Mounted

The supporting part is mounted into a machine/tool to provide extra stability to the feeding tray, ensures that the tray is in line with the conveyor as well as minimize the friction and noise.

Sliding parts are made to fit feeding trays width and made of high-molecular polyethylene with excellent sliding properties and wear resistance. Mounting is easy with the included stainless steel screws.

Height under tray: 5 mm



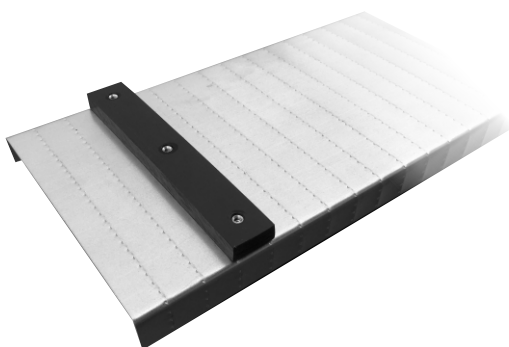
Sliding Parts Tray Mounted

The supporting part is mounted underneath the feeding tray to provide extra stability, ensures that the tray is in line with the conveyor as well as minimize the friction and noise.

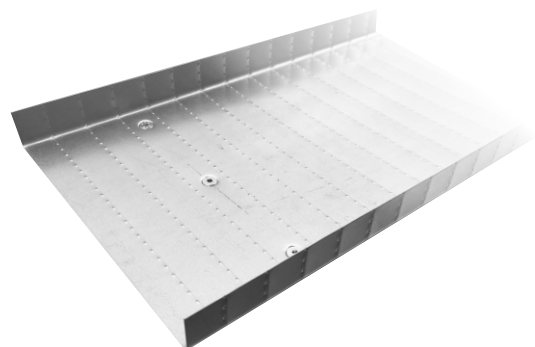
Sliding parts are made to fit feeding trays width and made of high-molecular polyethylene with pre-mounted insert nuts.

The holes are to be drilled in the tray, and mounting of the sliding part is easy with the supplied hex screws.

Height under tray: 10 mm



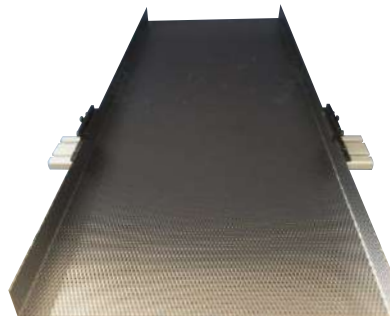
Feeding tray with mounted sliding part from beneath



Feeding tray with mounted sliding part from above



2 Nylon Spacers mounted together with Aluminum Bar and tray attachment on Black Line 121 conveyor

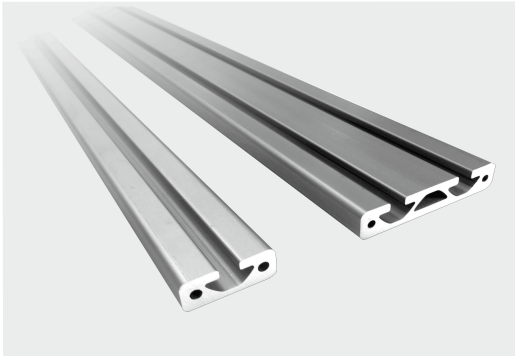


Feeding tray shown with complete unit

Nylon Spacer

A pair of spacers helps to stabilize the feeding tray by spreading the load while the wide single tray is mounted with Aluminum Bar and tray fasteners. Feeding tray inclination can be varied by choosing different heights of Nylon Spacer.

Material	Nylon
Color	Black
Mounting	2xM6 screws, 10.9 quality
Dimensions	(customized length and height)x30 mm width
Weight/pair	(e.g. 380x30x15 mm, 380x30x18 mm) 0.5 kg



Aluminum Bar

The low profile extruded aluminum bar combines low weight and high strength. The broad profile with its twin T-slots is stiff and stable giving torsional rigidity and stability.

The anodized surface has a high surface finish and corrosion resistance. Multiple feeding trays can be mounted on the bar. The bar is delivered in required length with pre-drilled fastening holes.

Aluminum Bar 16x80:
Height: 16 mm
Width: 80 mm
Weight: 2.2 kg/m

Aluminum Bar 16x40:
Height: 16 mm
Width: 40 mm
Weight: 1.1 kg/m



Bar Fastener

The bar fastener has a low profile and is laser cut from high strength steel. Bar fasteners are delivered in pairs with accompanying clamping screws to 10.9 quality.

Height over bar: 5 mm
Weight: 0.16 kg/pair



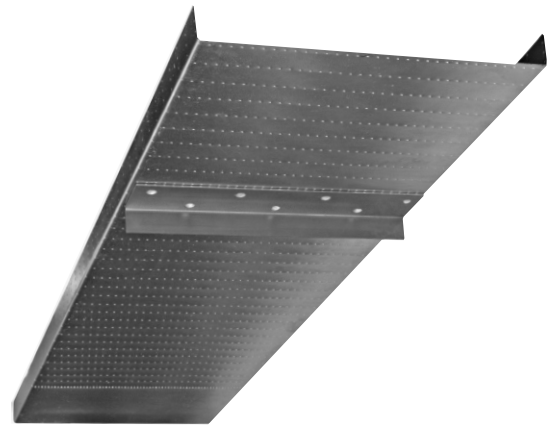
Special Screws

Aluminum Bar fastened on the conveyor with special countersunk head screws to 10.9 quality.

This can be applied when a completely smooth surface on the bar is required. It allows the feeding tray to attach directly onto the bar over the conveyor.



Bar mounted with Black Line 121 conveyer

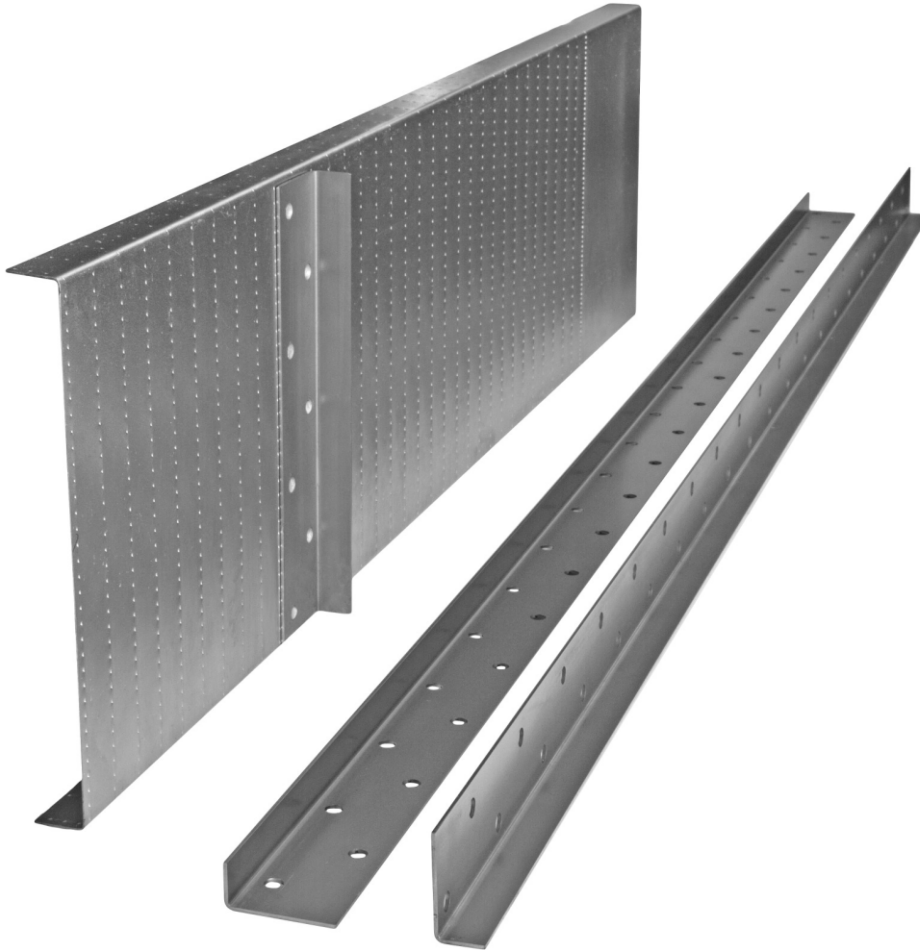


Feeding tray with Angle Bracket QB

Quick Bar 1000 / 1500 / 2000

The bar is for fast changes of multiple feeding trays. Mechanical hand-tensioner locks in seconds the feeding trays in the Quick Bar tracks without tools. Tray change is simplified and setup time is shortened.

Material (laser cut)	high strength steel
Surface	blackened galvanized
Tensioner	eccentric action tensioner, mechanically adjustable
Mounting for conveyor	4xM8 bolts, 10.9 quality
Dimensions (3 optional lengths)(LxWxH)	1010/1510/2010x83x34 mm
Weight of Quick Bar 1000	2.5 kg
Weight of Quick Bar 1500	4.5 kg
Weight of Quick Bar 2000	6.5 kg



Angle Bracket QB

Angle bracket with predrilled holes for welding beneath the feeding tray when using Quick Bar.

Material (laser cut)
Dimensions (LxWxH)
Weight

high strength steel
1230x17x40 mm
0.7 kg



Lift mounted with Black Line 121 conveyor and Aluminum Bar 2000 mm

Conveyor Lift 230/1100

The adjustable lift for Black Line 121 conveyor is easily mounted on a stamping press or manufacturing equipment with 4 bolts. Simplify tool change and reduce setup time.

Angle bracket material (laser cut)	8 mm Domex 500
Dimensions for steel bracket (LxWxH)	39x278x100 mm
Max load	100 kg
Max length of Aluminum Bar	2500 mm
Max length of Quick Bar	2000 mm
Height adjustment of angle bracket (with ball screw crank)	230 mm
Mounting conveyor	4xM8 threaded holes
Mounting Conveyor Lift 230/1100	4xM16 bolts, 12.9 quality
Dimensions without crank (LxWxH)	330x1100x312 mm
Weight	28.5 kg



Lift mounted with Black Line 121 conveyor

Conveyor Lift 200/278

The adjustable lift for Black Line 121 conveyor is easily mounted on a stamping press or manufacturing equipment with 4 bolts. The conveyor can be attached in 3 locations: both sides and middle. Tool change is simplified and setup time is shortened.

Angle bracket material (laser cut)	8 mm Domex 500
Dimensions for steel bracket (LxWxH)	39x278x100 mm
Max load	100 kg
Height adjustment of angle bracket (with ball screw crank)	200 mm
Positioning conveyor range (8xM8 threaded holes)	140 mm
Mounting	4xM12 bolts, 12.9 quality
Dimensions without crank (LxWxH)	309x284x290 mm
Weight	18.2 kg



Lift mechanism mounted with Black Line 121 conveyor, Aluminum Bar, tray fasteners and feeding tray.

Quick Disconnect 390

The adjustable bracket with elevator is for fast changes of the complete conveyor unit. Quick Disconnect is fully adjustable in X, Y and Z.

Material (laser cut)	high strength steel
Z elevator	polyurethane filled steel bar
Steel levers (adjustable)	2 pcs
Action tensioners (adjustable)	4 pcs
Bracket for bolster table edge (adjustable)	9-11 mm
Built in servo steel spring for easier handling	1000 mm
Full adjustable side ways	X angle
Full adjustable tray on the conveyor	Y angle
Stepless height adjustment (390 mm)	Z angle
Max load	50 kg
Max attached weight on conveyor	6 kg
Dimensions (LxWxH)	260x205x508 mm
Weight	9.8 kg



Plate mounted with Black Line 121 conveyor

Turn Plate 90°

Stepless adjustable plate rotates the complete conveyor unit including feeding tray to left/right 45° from neutral position. Flexible adjustment for the output direction.

Material (laser cut)	6 mm high strength steel
Surface	blackened galvanized
Steel levers (adjustable)	2 pcs
Mounting for Turn Plate 90°	4xM8 bolts, 10.9 quality
Mounting for conveyor	4xM8 bolts, 10.9 quality
Dimensions without levers (LxWxH)	270x270x12 mm
Weight	4.7 kg



Plate mounted with Black Line 121 conveyor

Feeding tray shown with complete unit

Quick Cassette 600

Plate with the complete conveyor unit is easily inserted into various manufacturing machines, with double hand tensioners for quick locking. Available in different versions for Black Line 121 or 141 conveyor with three different widths. Save space and reduce setup time.

Material (gray painted)	high strength steel
Thickness	6 mm
Dimensions for Black Line 141 (LxWxH)	1448x(200/400/600)x57 mm
Dimensions for Black Line 121 (LxWxH)	1748x(200/400/600)x78 mm
Weight	(e.g. 1748x600x78 mm) 27 kg



The left picture shows: Steady Stand 500, a low model, placed under the press table. 3-wheel adapter ensures stability on uneven surfaces. Conveyor, feeding tray and control box are mounted directly on the stand.

Steady Stand

Floor stand for Black Line conveyor is designed to flexible move complete conveyor unit between various manufacturing machines. The stand is either fitted with machine feet or wheels with brakes.

Material (laser cut)	5 mm high strength steel
Surface	painted grey
Max load	100 kg
Diameter of wheel	125 mm
Ball bearing wheel with foot operated brake	3/4 pcs polyurethane tyres
Integrated fork lift attachment	4 pcs polyurethane machine feet
Dimensions with wheel (LxWxH)	700x500x(customized height max.1300 mm)
Dimensions with feet (LxWxH)	700x680x(customized height max.1300 mm)
Weight	110 kg

Safety and Control

*Operational safety and reliability is built into all our conveyors.
Motor protection and motion sensors ensure the complete function of Conveyor 22 linear conveyors,
which can effectively reduce the risk of the conveyor system causing costly downtime.
The conveyors can easily be controlled digitally from the manufacturing machine.*

M12 Signal Cable

Signal cable is used for bidirectional communication with the conveyor for the purposes of optimal performance and safety.

The signal cable connects the control box to the stamping press/manufacturing machine. The conveyor can easily be controlled remotely via this cable. The conveyor also sends a signal through the signal cable to the stamping press/manufacturing machine in case of malfunction.

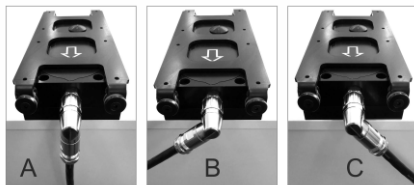
Standard length: 3000 mm
Option length: 5000 mm/10000 mm

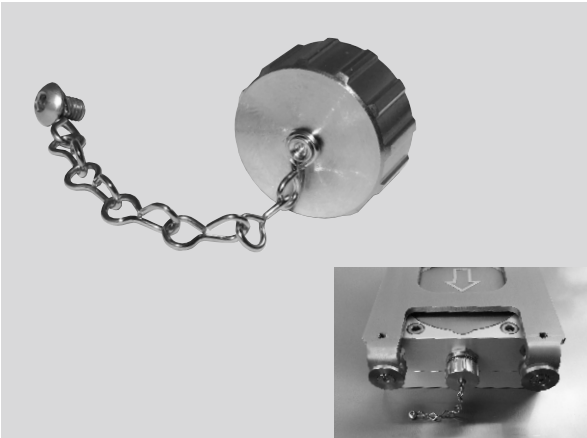


90° Electric Connector

An additional method of connecting to our conveyors as an alternative to the straight entry connector.

Used when space is limited around the conveyor.
Please request this if required when ordering.





Protective Cover Chassis

The protective screw cover is used when the control cable is disconnected from conveyor during cleaning. The cover is made of nickel plated Copper-zinc alloy and comes with M4 mounting screw and 70 mm length of chain.

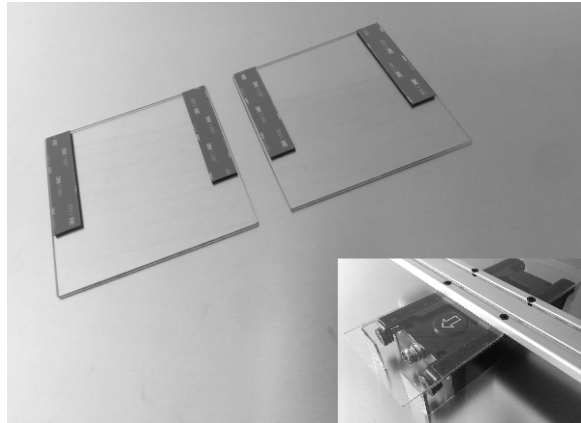
IP67 when locked in position.



Protective Cover Cable

The protective screw cover is used when the control cable is disconnected from conveyor during cleaning. The cover is made of nickel plated Copper-zinc alloy and comes with M4 mounting screw and 70 mm length of chain.

IP67 when locked in position.

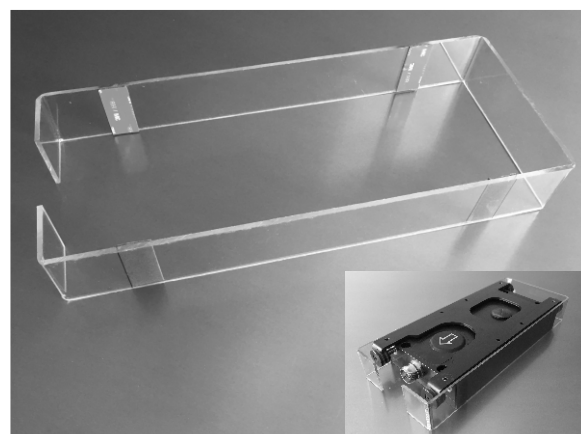


Anti-Pinch Barrier Top

Barrier is to reduce clamping risk when the conveyor is mounted unprotected, e.g. outside the manufacturing machine. Made of 3 mm polycarbonate and comes with double-sided metal tape.

Dimensions for Model 121&141 (LxWxH): 150x138x3 mm

Dimensions for Model 181 (LxWxH): 140x118x3 mm



Anti-Pinch Barrier Side

Barrier is to reduce clamping risk when the conveyor is mounted unprotected, e.g. outside the manufacturing machine. Made of 3 mm polycarbonate and comes with double-sided metal tape.

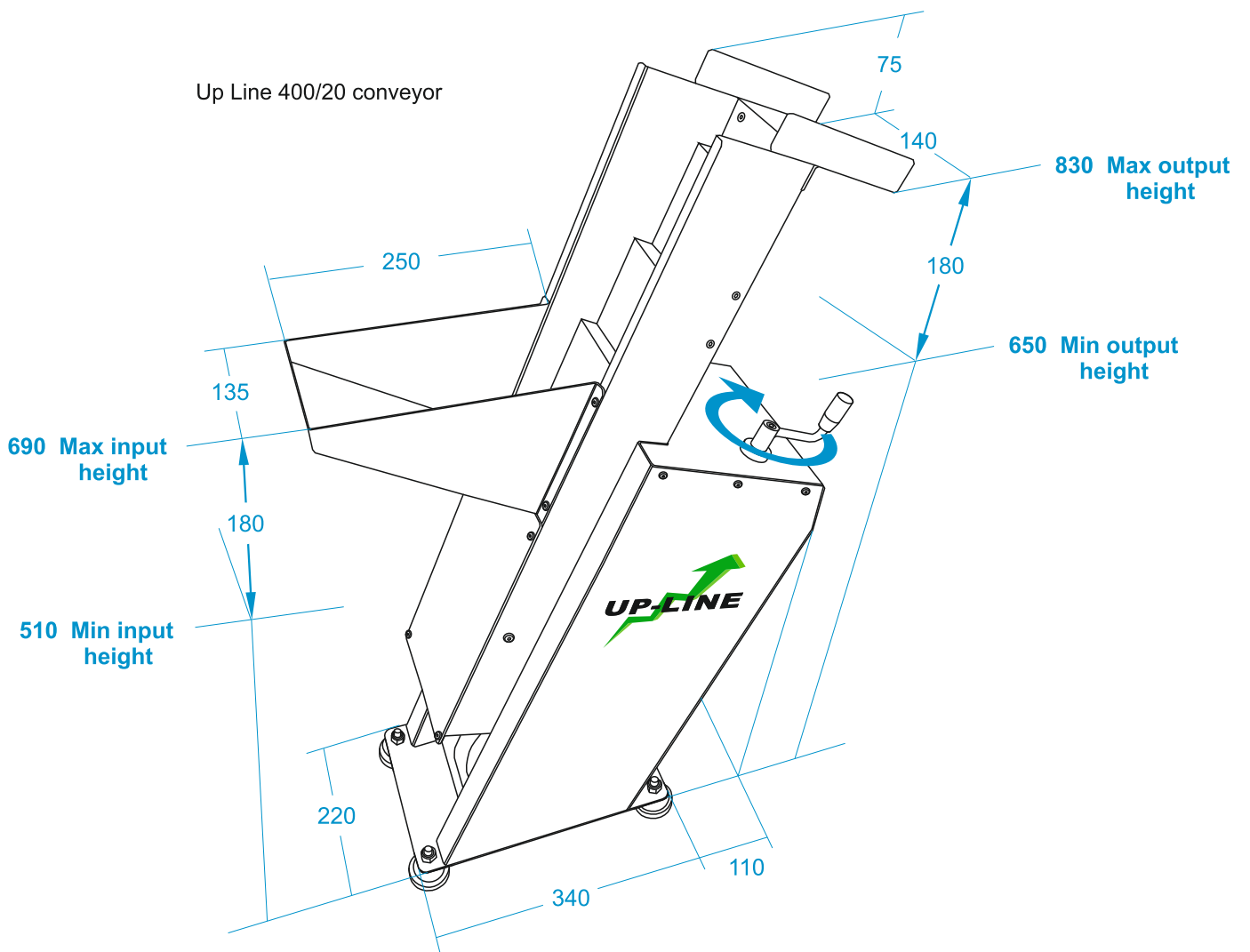
Dimensions for Model 121(LxWxH): 346x146x67 mm

Dimensions for Model 141(LxWxH): 336x136x46 mm

Dimensions for Model 181(LxWxH): 306x126x35 mm

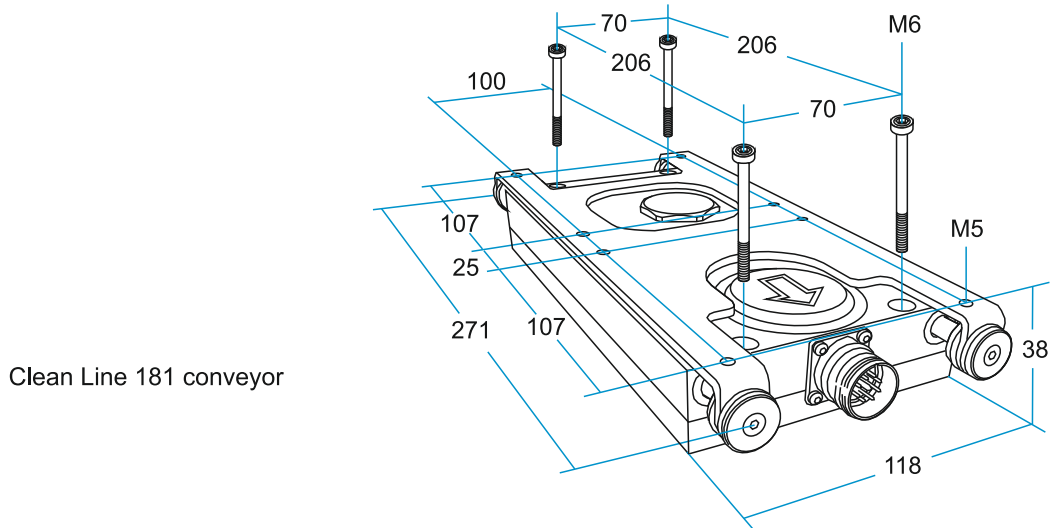
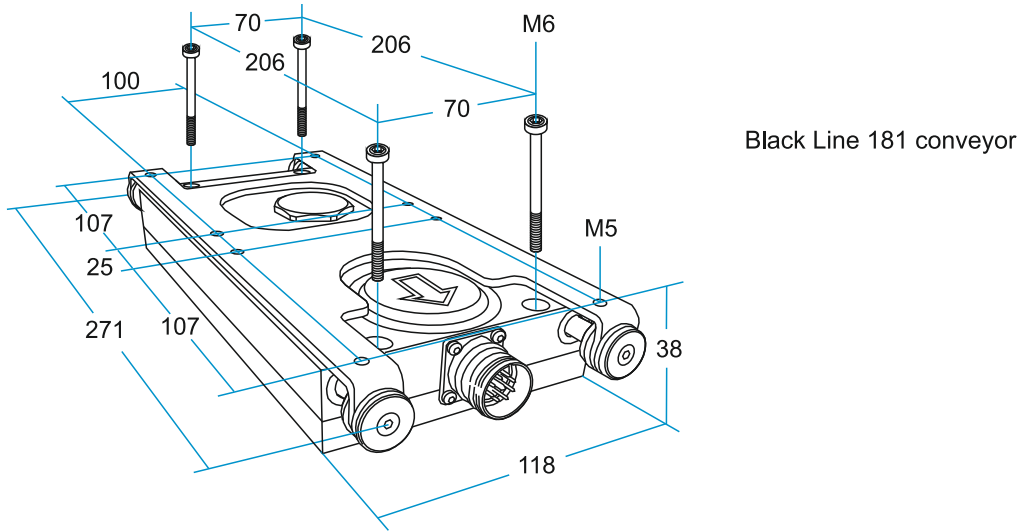
Dimensions and Hole Pattern Drawing

All dimensions in millimeters

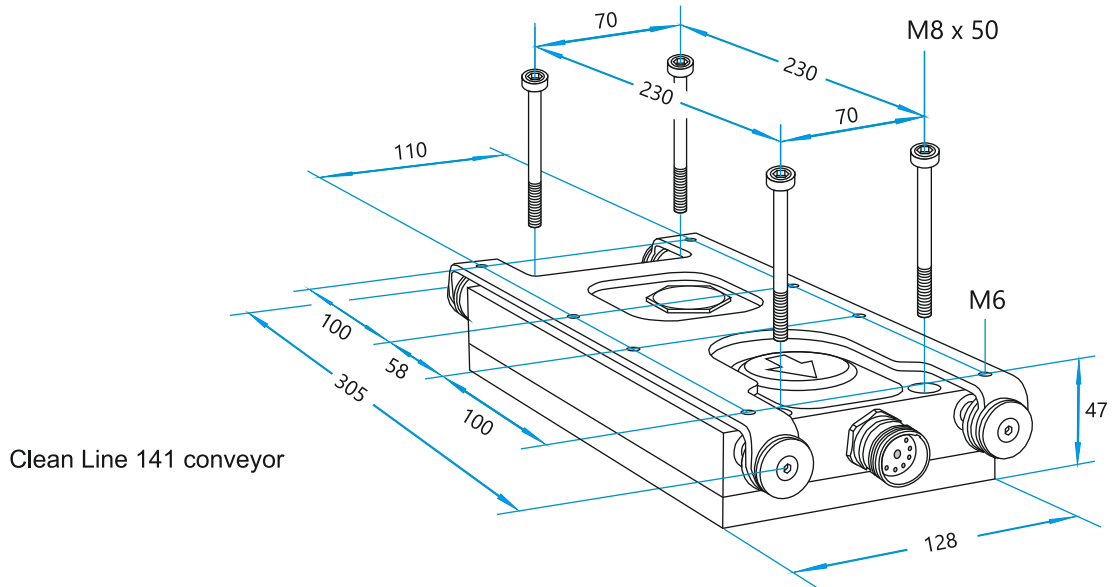
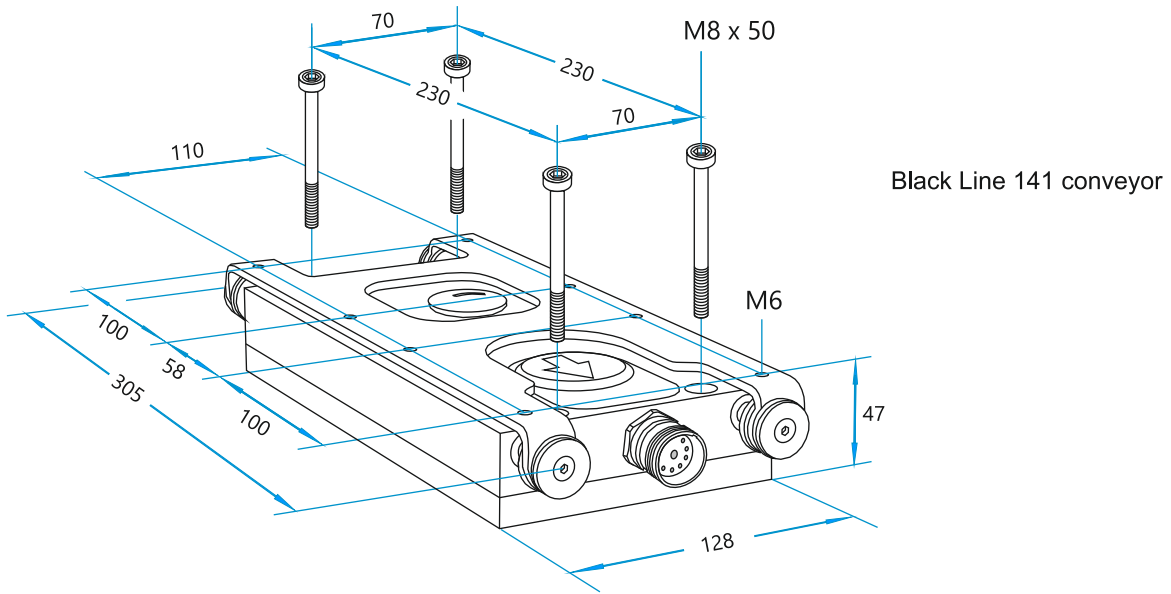


Dimensions and Hole Pattern Drawing

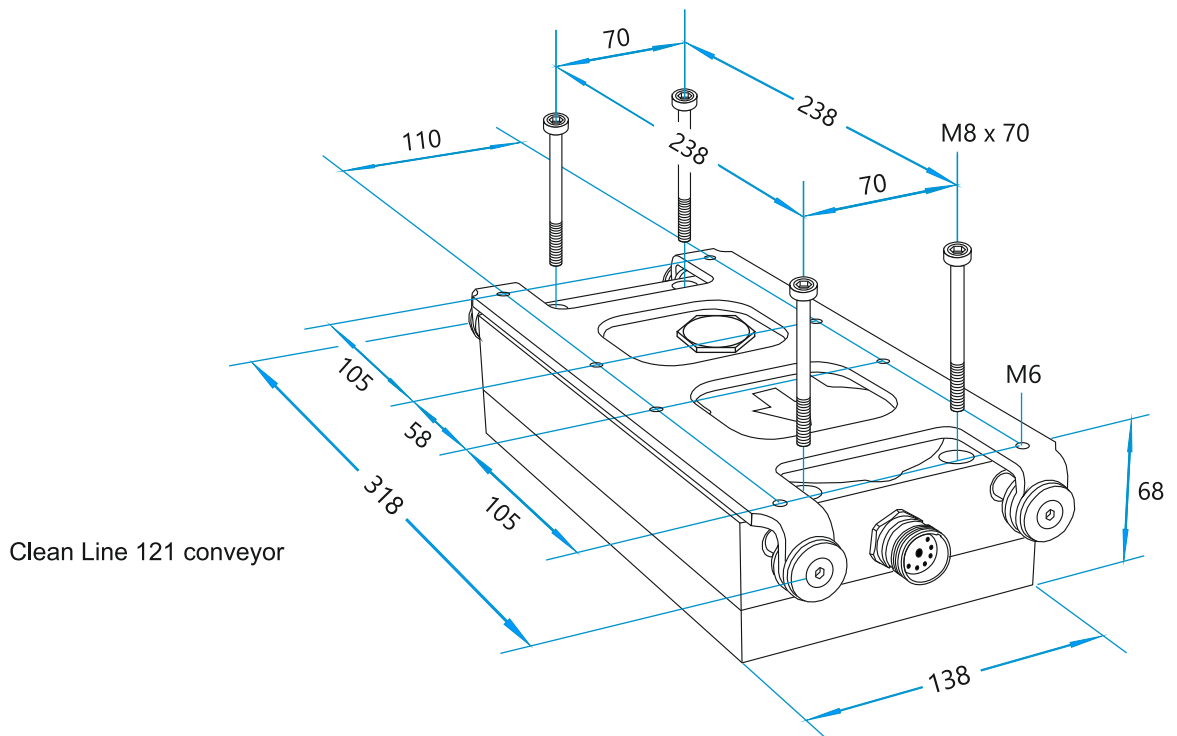
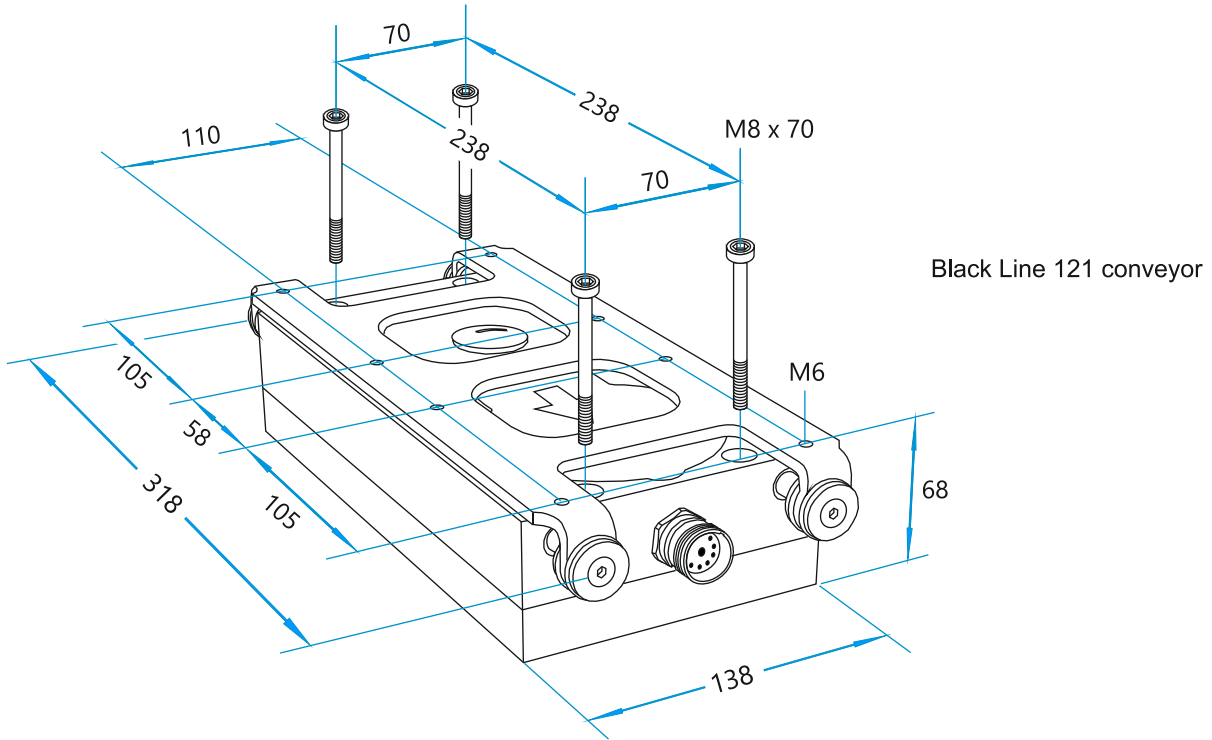
All dimensions in millimeters



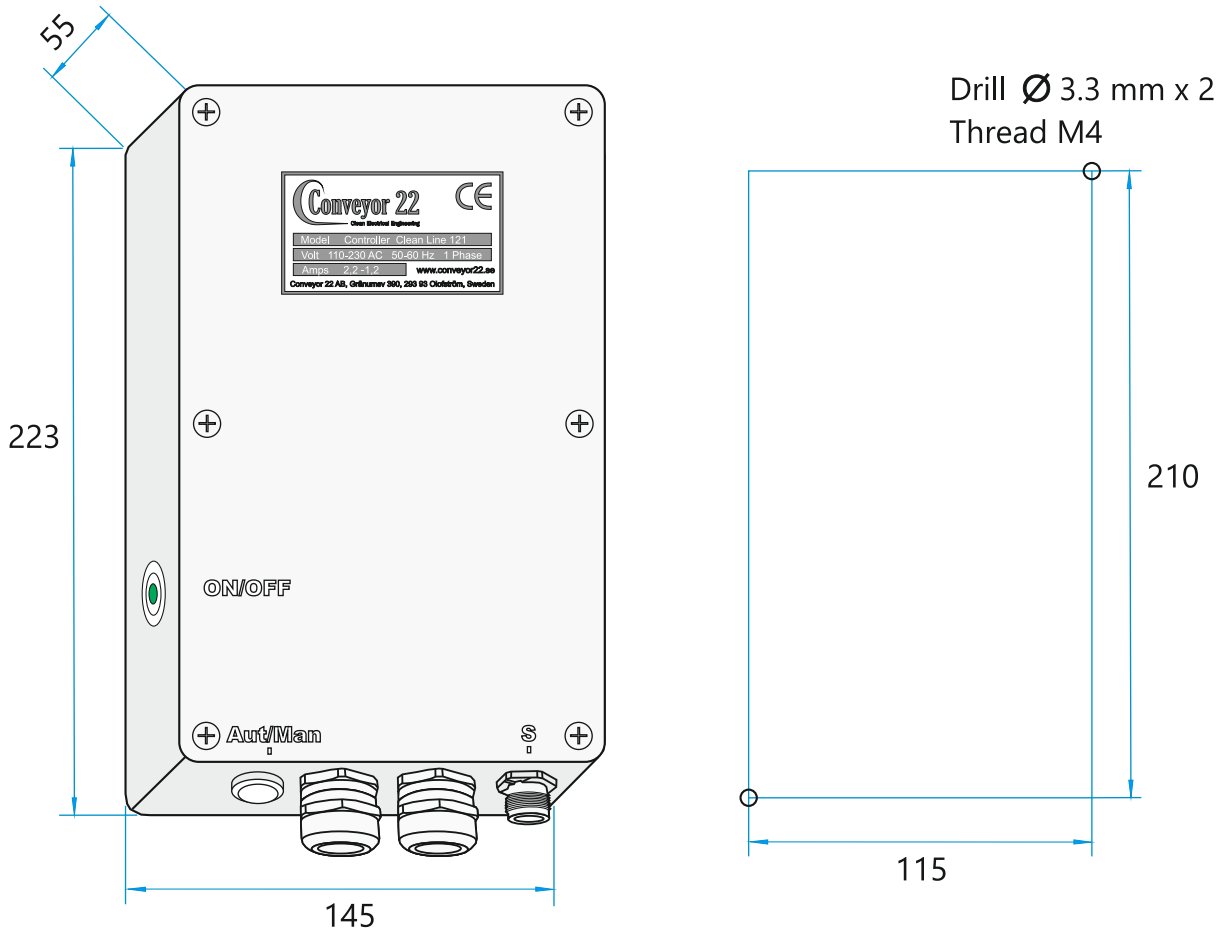
All dimensions in millimeters



All dimensions in millimeters



Control Box for Clean Line conveyor All dimensions in millimeters

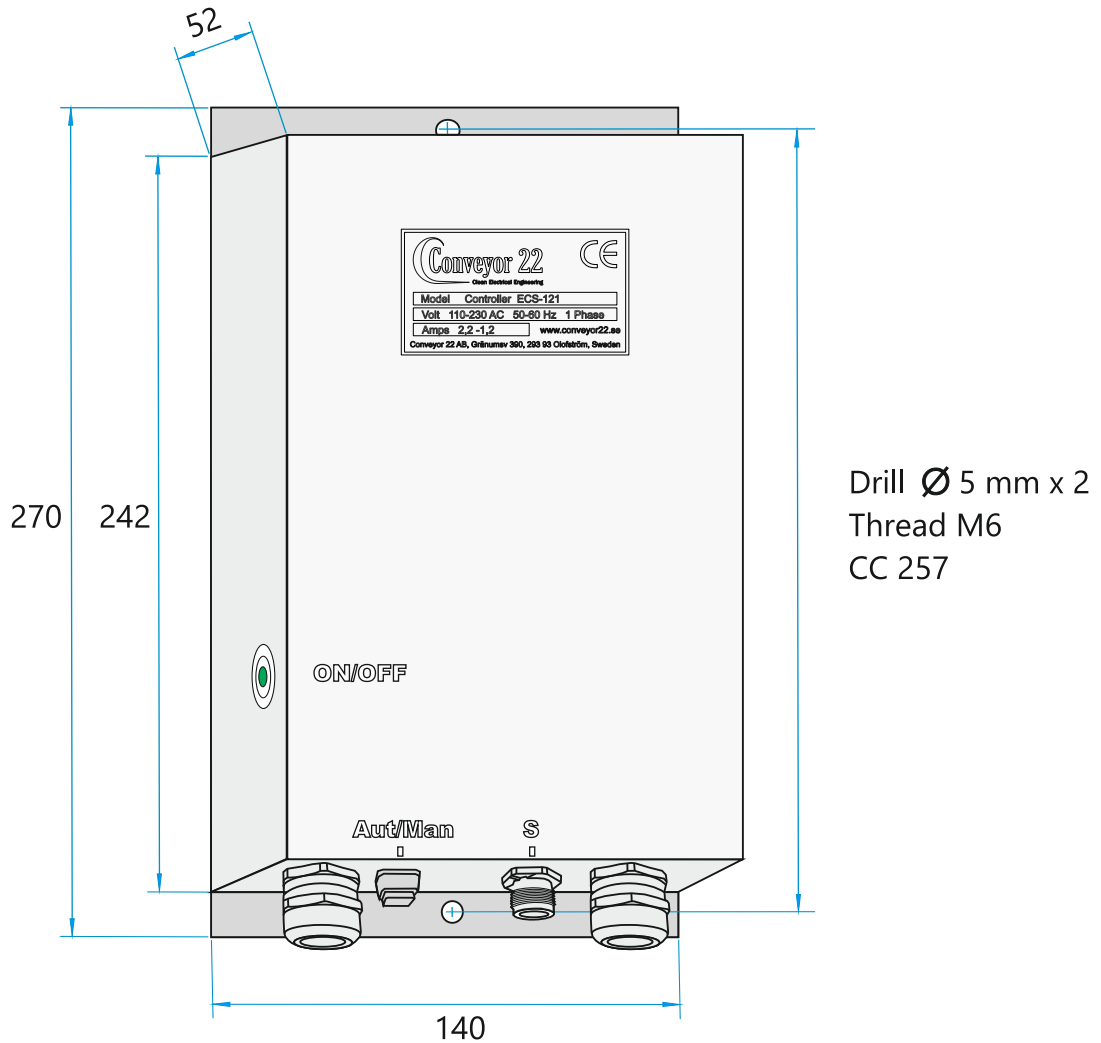


The control box cover (6 pcs phillips screws) must be removed when mounting the box (4 pcs M4 x 20 mm hex screws).



Attention! The Control box must be mounted on a metal surface for heat conduction.

Control Box for Black Line conveyor All dimensions in millimeters

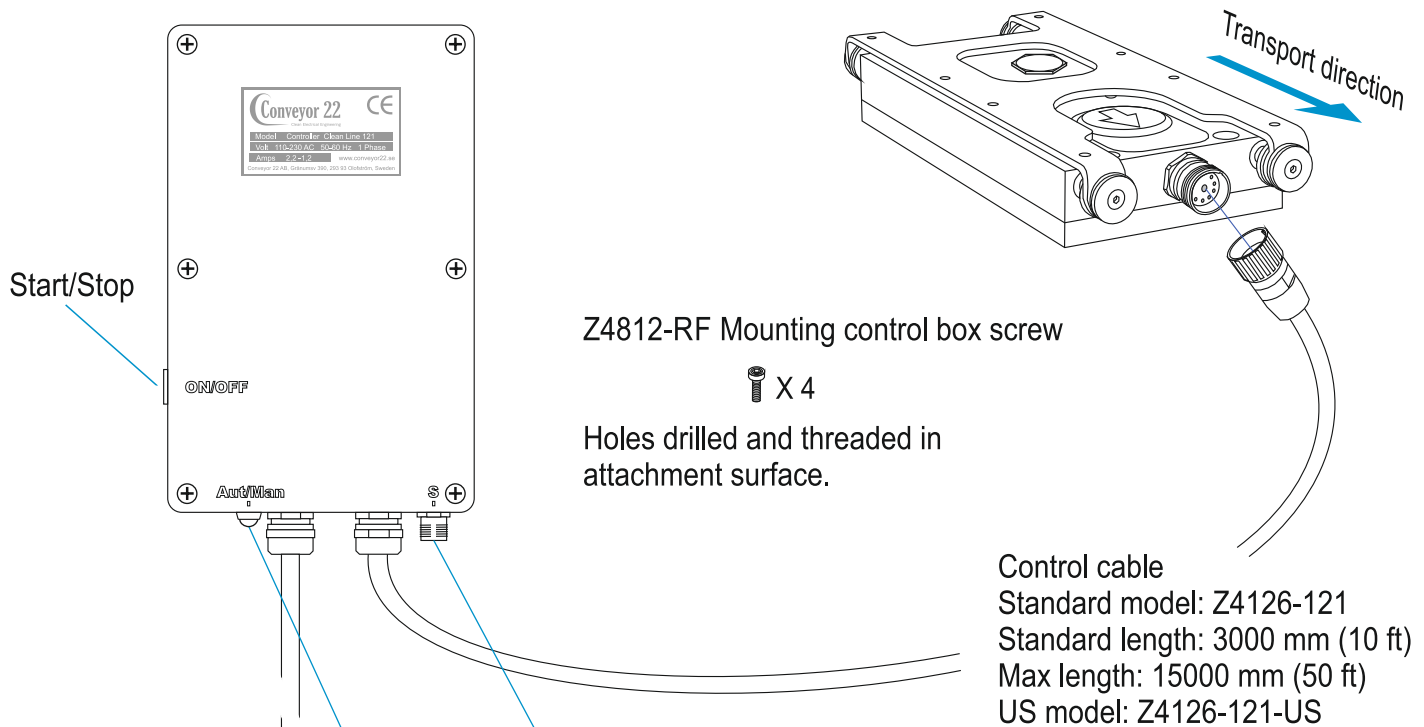


Attention! The control box must be mounted on a metal surface for heat conduction.

Electric Connection for Clean Line conveyor



NOTE! Make sure the tray can move freely in both directions before connecting the conveyor to a power source.



Power cable
Z4423-121-RF
Length: 1900 mm (6.2 ft.)


Connect to grounded power outlet
Single-phase 110-230V, 50-60 Hz


M 12 contact Male

Black 4	3 Blue
Brown 1	2 White

1 = Start/Stop	Digital Input	24 VDC = Start
2 = Error	Digital Output	24 VDC = Error
3 = -0 VDC	Common	-0 VDC = -0V
4 = Control box OK	Digital Output	24 VDC = OK

Switch for PLC / Manual operation

 = PLC operation.
In this position, the start/stop function is controlled via M12 contact.

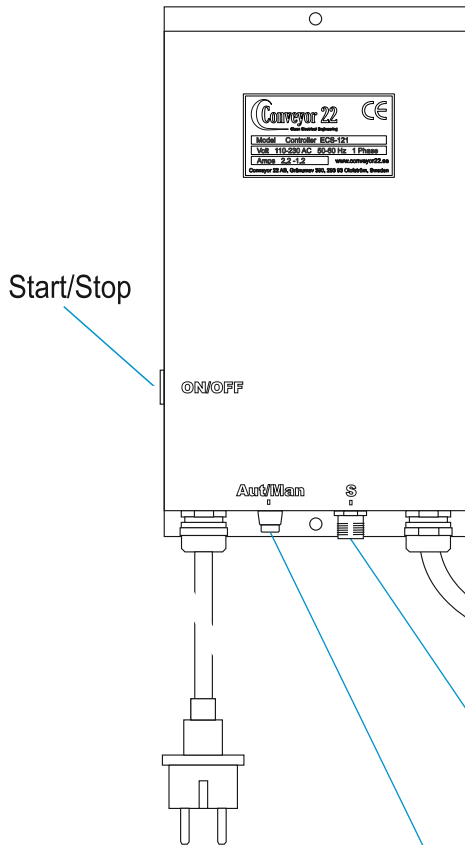
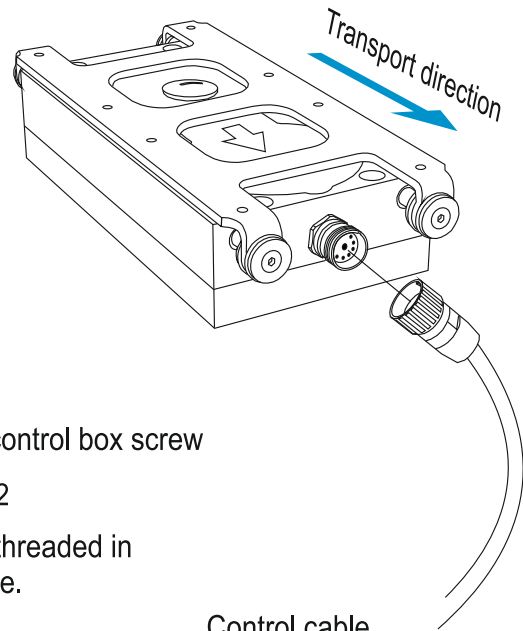
 = Manual operation.
In this position, the start/stop function is controlled via control box

Output		
Condition	Pin 2	Pin 4
Error	High 24V	Low 0V
OK	Low 0V	High 24V
Input		
Condition	Pin 1	
Running	High	24V
Stopped	Low	- 0V

Electric Connection for Black Line conveyor



NOTE! Make sure the tray can move freely in both directions before connecting the conveyor to a power source.



Z4812 Mounting control box screw



Holes drilled and threaded in attachment surface.

Control cable
 Standard model: Z4126-121
 Standard length: 3000 mm (10 ft)
 Max length: 15000 mm (50 ft)
 US model: Z4126-121-US

Power cable
 Standard model: Z4423-121
 Length: 1800 mm (5.9 ft)
 UK model: Z4423-121-UK, 1900 mm (6.2 ft)
 US model: Z4423-121-US, 1900 mm (6.2 ft)

Connect to grounded power outlet
 Single-phase 110-230V, 50-60 Hz

M 12 contact Male

1 = Start/Stop	Digital Input	24 VDC = Start
2 = Error	Digital Output	24 VDC = Error
3 = -0 VDC	Common	- 0 VDC = - 0V
4 = Control box OK	Digital Output	24 VDC = OK

Switch for PLC / Manual operation

= PLC operation.
 In this position, the start/stop function is controlled via M12 contact.

= Manual operation.
 In this position, the start/stop function is controlled via control box

Output		
Condition	Pin 2	Pin 4
Error	High 24V	Low 0V
OK	Low 0V	High 24V
Input		
Condition	Pin 1	
Running	High 24V	
Stopped	Low - 0V	

Warranty

1. Conveyor 22 AB products are guaranteed by Conveyor 22 AB against unlikely event of failure due to:
 - 1.1. Failure of material
 - 1.2. Failure due to workmanship during manufacture
2. Conveyor 22 AB does NOT offer warranty in the unlikely event of failure under the following circumstances:
 - 2.1. The product has been over loaded.
 - 2.2. The product has been modified by a third party other than:
 - 2.2.1. Conveyor 22 AB
 - 2.2.2. Conveyor 22 AB authorized representative acting with written consent of Conveyor 22 AB.
 - 2.2.3. Any individual or organization acting with the express written consent of Conveyor 22 AB.
 - 2.2.4. The Conveyor 22 AB authorized representative has followed Conveyor 22 AB procedures during repair or modification.
 - 2.3. The product has not been installed in a manner approved by Conveyor 22 AB.
 - 2.4. The product has not been installed, maintained and operated in accordance with Conveyor 22 AB Installation and Operating Manual.
 - 2.5. The failure has not been reported and received in writing by Conveyor 22 AB within one calendar year of the date of purchase.
3. Conveyor 22 AB shall examine the product deemed by the customer to have failed in order to determine if the unit:
 - 3.1. Has failed.
 - 3.2. Is functioning correctly in accordance with Conveyor 22 AB test procedures.
 - 3.3. Has failed due to a condition or conditions listed in 1.1 and 1.2 in this warranty document.
4. Conveyor 22 AB conclusions are:
 - 4.1. Final and binding upon the Customer
 - 4.2. The Customer accepts the conditions laid out in this warranty document upon purchasing Conveyor 22 AB product.
5. Should Conveyor 22 AB conclude the product is functioning correctly in accordance with Conveyor 22 AB test procedures, Conveyor 22 AB shall return the product to the Customer provided:
 - 5.1. The Customer agrees in writing to accept the product return.
 - 5.2. The Customer accepts without reservation Conveyor 22 AB conclusions.
 - 5.3. The Customer agrees to reimburse Conveyor 22 AB for costs arising from:
 - 5.3.1. Return shipping
 - 5.3.2. Engineering test work carried out by Conveyor 22 AB
 - 5.3.2.1. These costs are at the discretion of Conveyor 22 AB.
6. In the event the customer decides not to accept the product return:
 - 6.1. Ownership Title to the product returns to Conveyor 22 AB.
 - 6.2. Conveyor 22 AB liability to the Customer then ceases permanently.
7. The warranty shall extend for the period of one calendar year from date of purchase unless:
 - 7.1. Conveyor 22 AB agrees at Conveyor 22 AB discretion an extension to this time period in writing.
 - 7.2. Conveyor 22 AB may agree at Conveyor 22 AB's discretion to extend the warranty time period for an additional charge.
8. In the unlikely event Conveyor 22 AB conclude the Conveyor 22 AB product has failed due to a condition or conditions specified in 1.1 and 1.2 above, Conveyor 22 AB will at Conveyor 22 AB's discretion:
 - 8.1. Reimburse reasonable costs of shipping the Conveyor 22 AB product from the Customer to Conveyor 22 AB.
 - 8.2. Reimburse reasonable costs of shipping the Conveyor 22 AB product to the Customer from Conveyor 22 AB.
9. Any claim by the Customer against Conveyor 22 AB shall be limited to the invoice cost of the Conveyor 22 AB product.
 - 9.1. Conveyor 22 AB shall not be liable to the Customer for any amount exceeding the value of the Conveyor 22 AB product.
 - 9.2. Should the Customer decide to request the Conveyor 22 AB product be repaired, Conveyor 22 AB may supply a quotation for repair or replacement of the product at the discretion of Conveyor 22 AB.
10. The Customer installs and uses the Conveyor 22 AB product entirely at the Customer's risk.
11. Conveyor 22 AB shall not be liable for failure as a direct result of (but not limited to):
 - 11.1. Shipping
 - 11.2. Handling
 - 11.3. Fire
 - 11.4. Storage or use at temperatures outside of those within the specifications
 - 11.5. Water damage (flood)
 - 11.6. Accident
 - 11.7. Misuse
 - 11.8. Acts of God or Gods
12. This warranty voids and is in lieu of all or any other warranties, expressed or implied, and no warranty of merchantability or fitness for particular purpose is intended or made.

*With our conveyor you will experience a revolutionary and state of the art technology.
The Conveyor 22 linear conveyor is the cleanest, most reliable and cost-efficient on the market.*

Improved Working Environment

Clean

Our electric conveyors are extremely clean without any emissions of oil mist and are an excellent replacement for traditional conveyors. They are designed to be environmentally friendly and are certified by international standards: RoHS, SA, UL, CE.

Low Noise

The sound level from our conveyors is low, only 60 dB (A). All mechanical parts are self-contained and work in a sealed oil bath. The reduced noise enhances the working environment significantly. Our electric conveyor is in a class of its own compared to pneumatic and vibration conveyors.

Effective Material Handling

Speed adjustment

The mechanical stepless speed adjustment allows you to easily adjust the conveyor to focus on strength or speed according to the transported material. The sensor-controlled technology generates 200% more power at start up, so the feeding tray can be started fully loaded.

Unique movement

Our unique linear movement distributes and spreads the parts during conveying which reduces static electricity generation. It is more gentle and smooth against the transported parts than traditional vibration conveyors movement. We can transport different items at the same speed regardless of their weight and volume without need of frequent adjustments.

Easy Integration and Digital Control

Compact size

The compact size of our conveyors makes them unique in the world. They are easily attached or incorporated into stamping presses, machine tools and manufacturing systems.

Convenient installation

Our conveyor can be easily mounted by using four clamping bolts. They can be controlled digitally from a PLC and communicate bidirectionally with stamping press/manufacturing machine. The linear conveyors are available in two versions 110-230 VAC, 50-60 Hz, single phase AC or 24 VDC.

Reliability

Maintenance-free

Our conveyor is designed for continuous operation and long maintenance-free service life. There is only one moving outer part, compares with the numerous moving parts in a conveyor belt system! No belt to change, no outer part to be lubricated and the metallic tray is easy to clean. Maintenance costs are reduced drastically.

Operational safety

Motor protection and a built-in motion sensor ensure the continuous function of our linear conveyors. The secure output effectively reduces the risk of conveyor system causing costly downtime.

Super Energy Efficiency

Due to its electric powering and low friction, our conveyor consumes 95% less energy compares to a pneumatic conveyor. The advanced sensor controlled motor ensures that only the energy required for the actual work load is consumed.